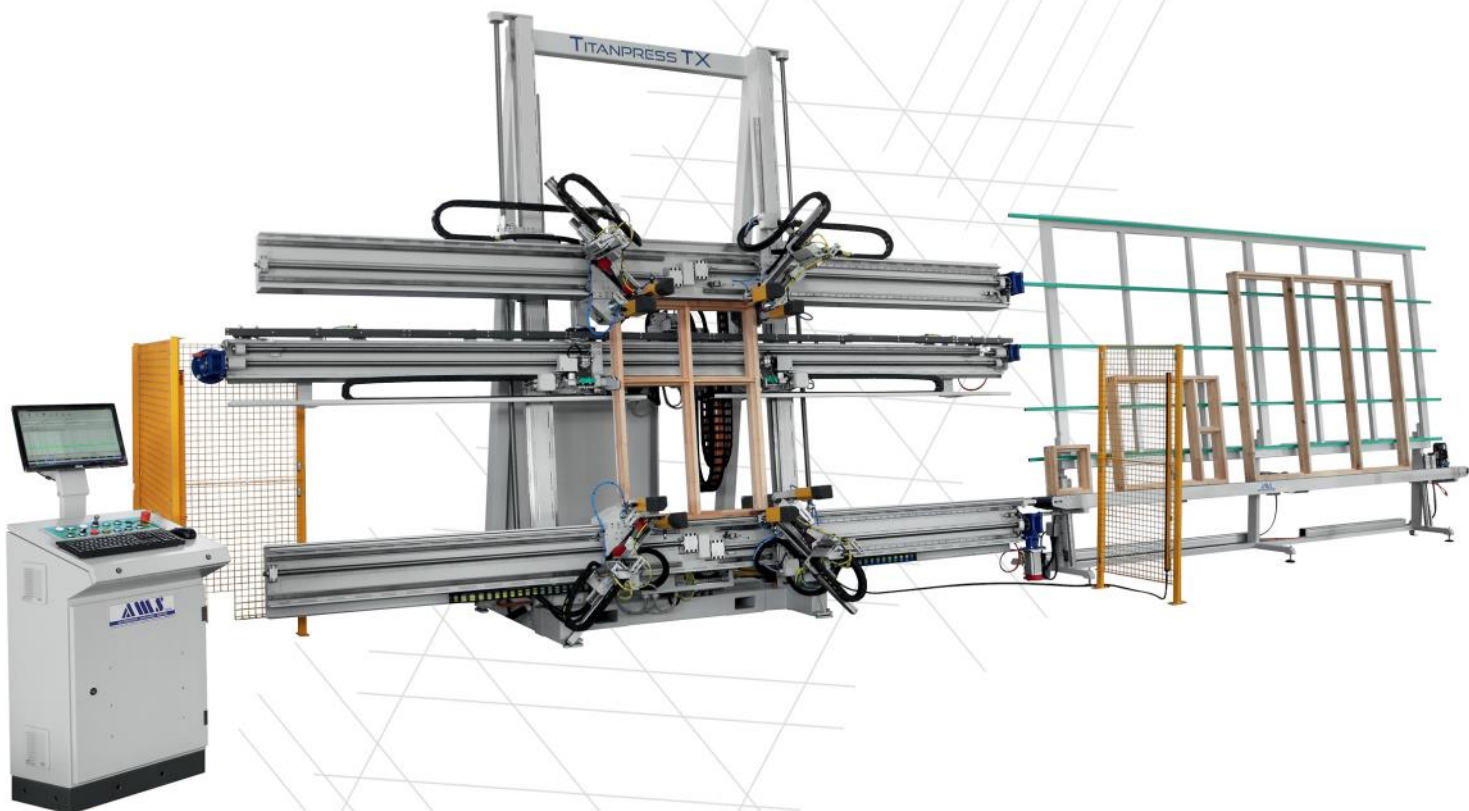


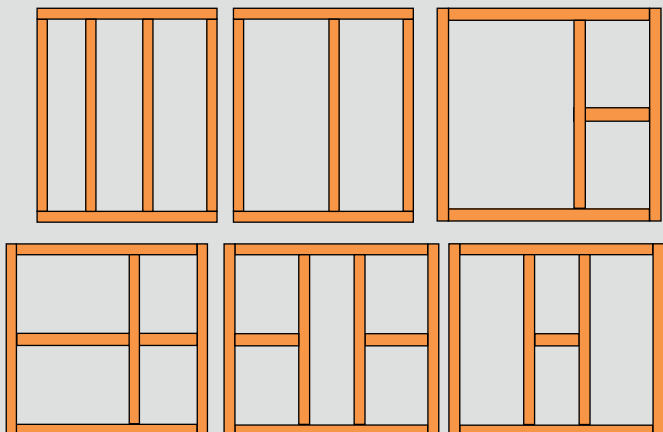
TITANPRESS-TX

SMART ASSEMBLING SYSTEMS

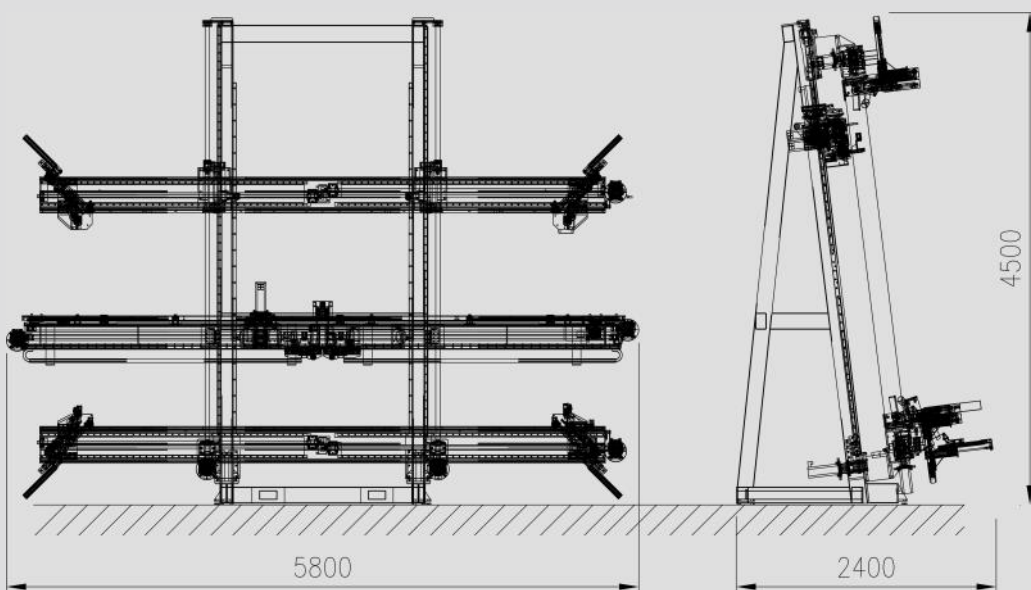


- /// 7 CNC controlled brushless axes: fast and precise
- /// Fast pre-positioning, full automatic work-cycle
- /// Assisted loading operation
- /// No pre-assembling even for complex frames
- /// Options: automatic nailing, milling, drilling
- /// Automatic out-feed of assembled frames
- /// Production list from file: paperless workstation
- /// Clear and simple operator interface on PC
- /// On-line remote assistance

Huge capacity improvement by assembling complex frames directly on the machine



Assembling process efficiency improved by integrating automatic gluing 4Glue-L and TITANPRESS-TX



Standard frame dimensions

Horizontal (min/max):
250/4500mm

Vertical (min/max):
250/3000mm

Standard press dimensions

Width: 5800 mm

Height: 4500 mm

Depth: 2400 mm

www.amsautomazioni.com

